



First photo show immersion temperature sensor TIN with stainless steel pocket SSP 100.

Second photo show only the stainless steel immersion pocket SSP 100 with BSP thread.

Features

- Sensing elements
 - Platinum PT1000
 - Thermistor NTC 10K
 - Other sensing elements on request
- Probe length 100 mm
 - Other probe lengths on request
- Stainless steel immersion pocket SSP 100, length 100 mm
 - BSP Thread Type, British Standard Pipe Thread
 - Other pocket lengths on request
- Housing material plastic IP65 protection
- Housing dimensions 72x64x38 mm
 - excluding cable entry gland
- 4 quick locking screws in the cover of the enclosure
- Accuracy
 - PT1000: +/- 0.4°C
 - NTC 10K: +/-0.2°C
- Operating temperature range
 - PT1000 and NTC 10K : -40°C to +125°C

Ordering

Type no.	Description
TIN PT1000 100	Immersion Temperature Sensor PT1000, probe length 100 mm
TIN NTC 10K 100	Immersion Temperature Sensor NTC 10K, probe length 100 mm
SSP 100	Stainless steel pocket, probe length 100 mm

Description

The immersion temperature sensors TIN are used to measure water temperature of heated or chilled water and other liquids in mechanical systems.

The sensing element for the immersion temperature sensors TIN is located in the end of the probe and wiring connection is inside the IP 65 housing on a terminal block, the housing is supplied with a plastic cable entry gland.

Stainless steel immersion pocket SSP 100 to be ordered separately.

The machined stainless steel immersions pockets are designed for mounting immersion temperature sensors in pipes and tanks.

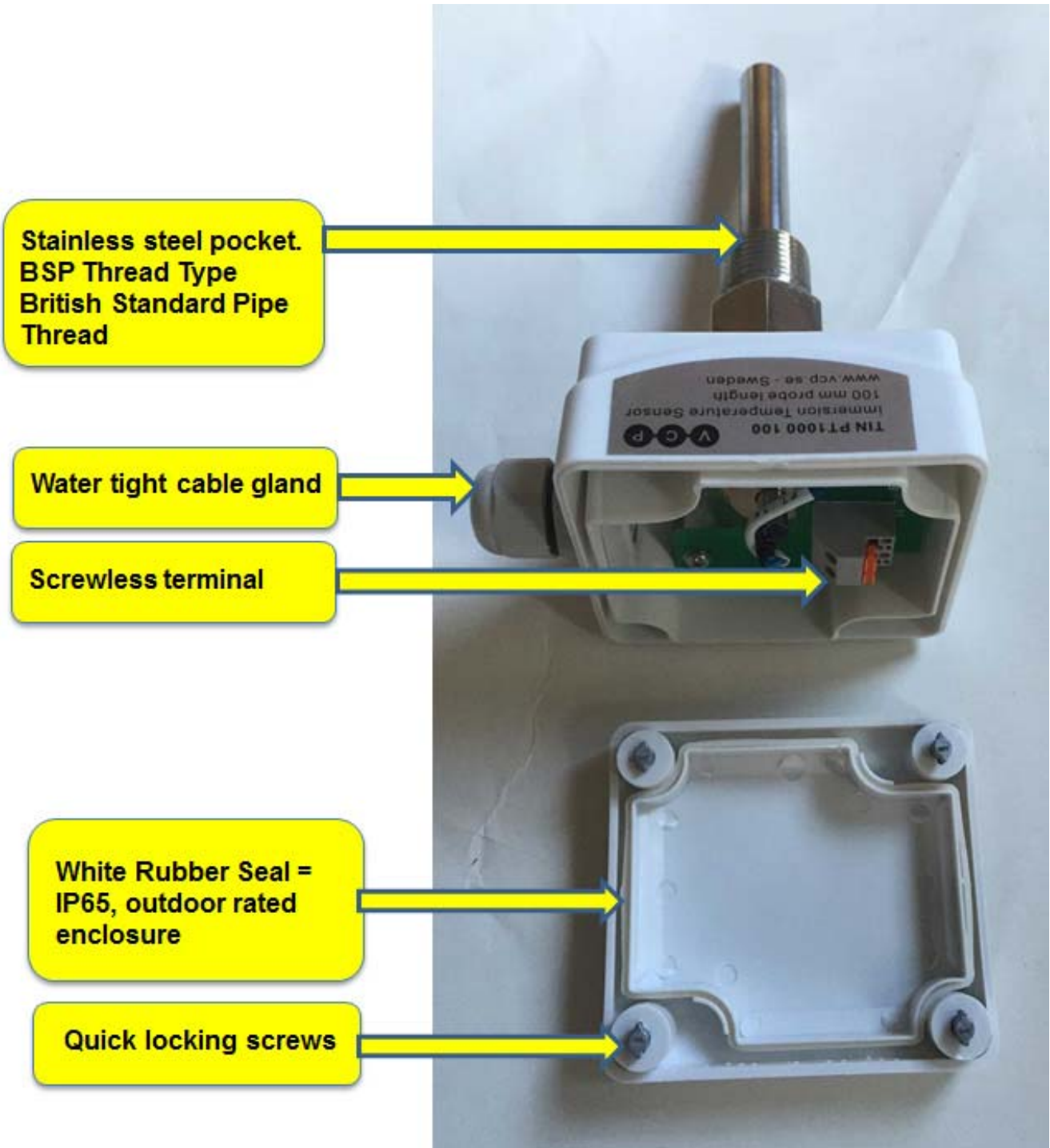
The stainless steel immersions pockets are designed to reduce the stress encountered in a flowing fluid installation which produces a constantly oscillating force that can eventually crack a probe unless mounted within one of these stainless steel immersions pockets.

The stainless steel immersions pockets are designed to handle the stress, while providing good thermal contact with fluid.

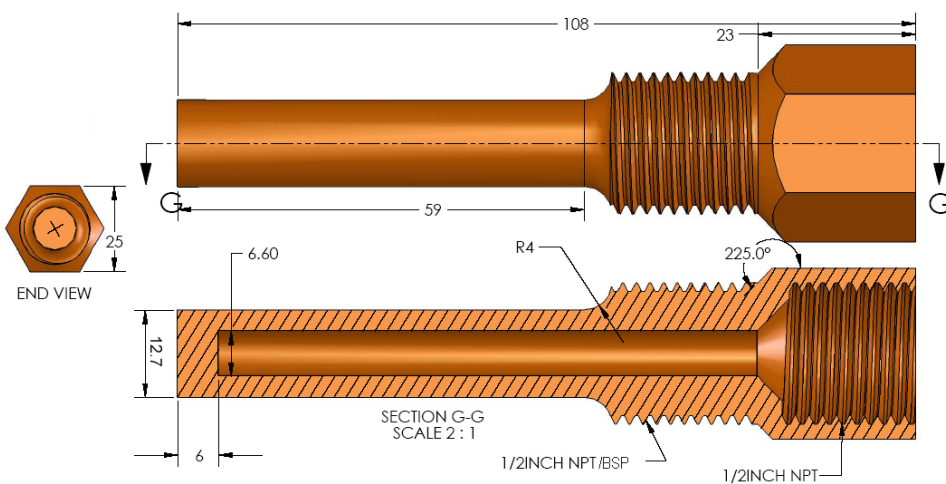
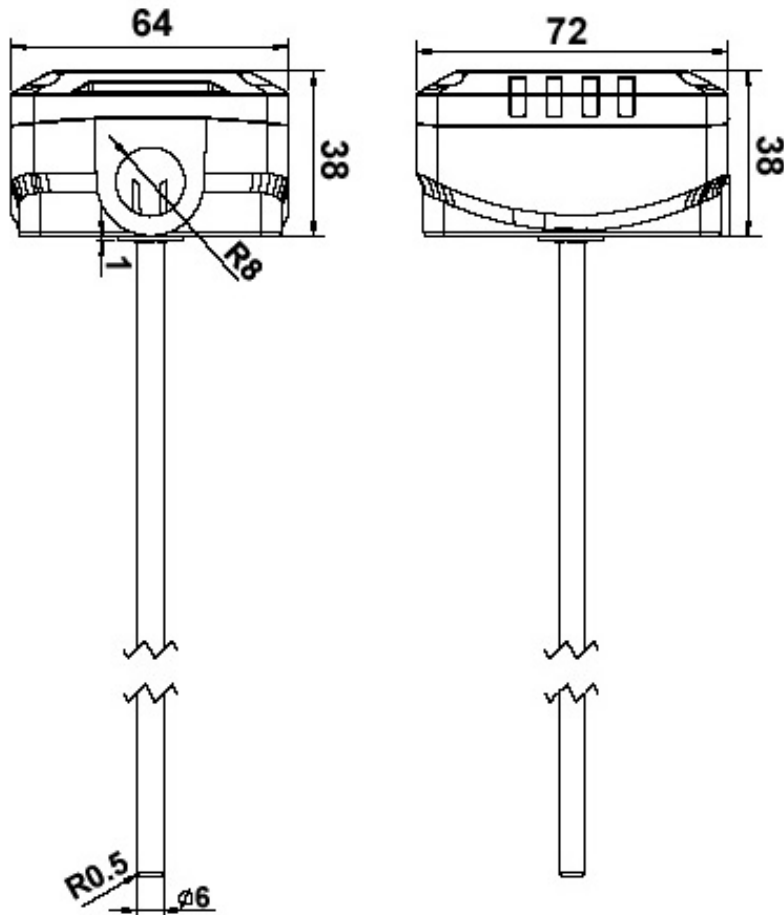
Stainless steel immersions pockets also provide isolation, if the immersion temperatures sensor needs to be serviced the system can remain in operation without having to drain the lines.

Before threading the sensor into the well, deposit some thermal paste in the bottom of the well to improve heat conduction between the metal parts.

Illustration



Dimensions in mm



SSP 100 is a stainless steel immersion pocket with BSP thread, British Standard Thread Type.
On request: 1/2 INCH NPT thread.

We reserve the right to make changes in our products without any notice which may effect the accuracy of the information contained in this leaflet.