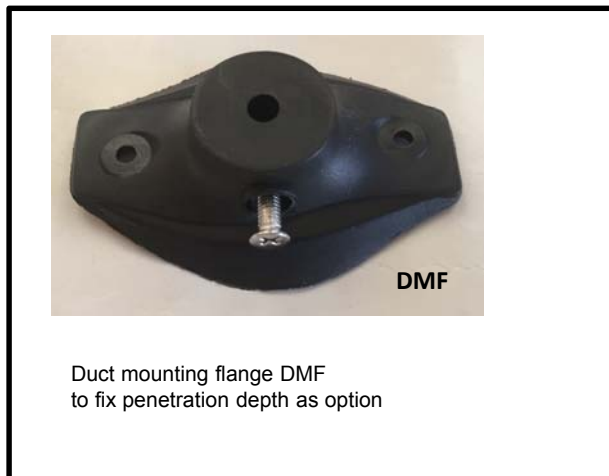




TDN PT1000 200



## Features

- Sensing elements
  - Platinum PT1000
  - Thermistor NTC 10K
  - Other sensing elements on request
- Probe length 200 mm
  - Other probe lengths on request
- Probe material steel
- Probe diameter 6 mm
- Housing material plastic IP65 protection
- Housing dimensions 72x64x38 mm  
excluding cable entry gland
- 4 quick locking screws in the cover of the enclosure
- A neoprene gasket is supplied to ensure good seal onto the duct
- Duct mounting flange as option
- Accuracy
  - PT1000: +/- 0.4°C
  - NTC 10K: +/-0.2°C
- Operating temperature range
  - PT1000 and NTC 10K : -40°C to +125°C
- Simple 2-wire connection
- Economical way to measure temperature

## Description

The duct temperature sensor TDN is used for sensing the air temperature in heating, ventilation and air conditioning systems (e.g. in supply air, extract air or mixed air ducts).

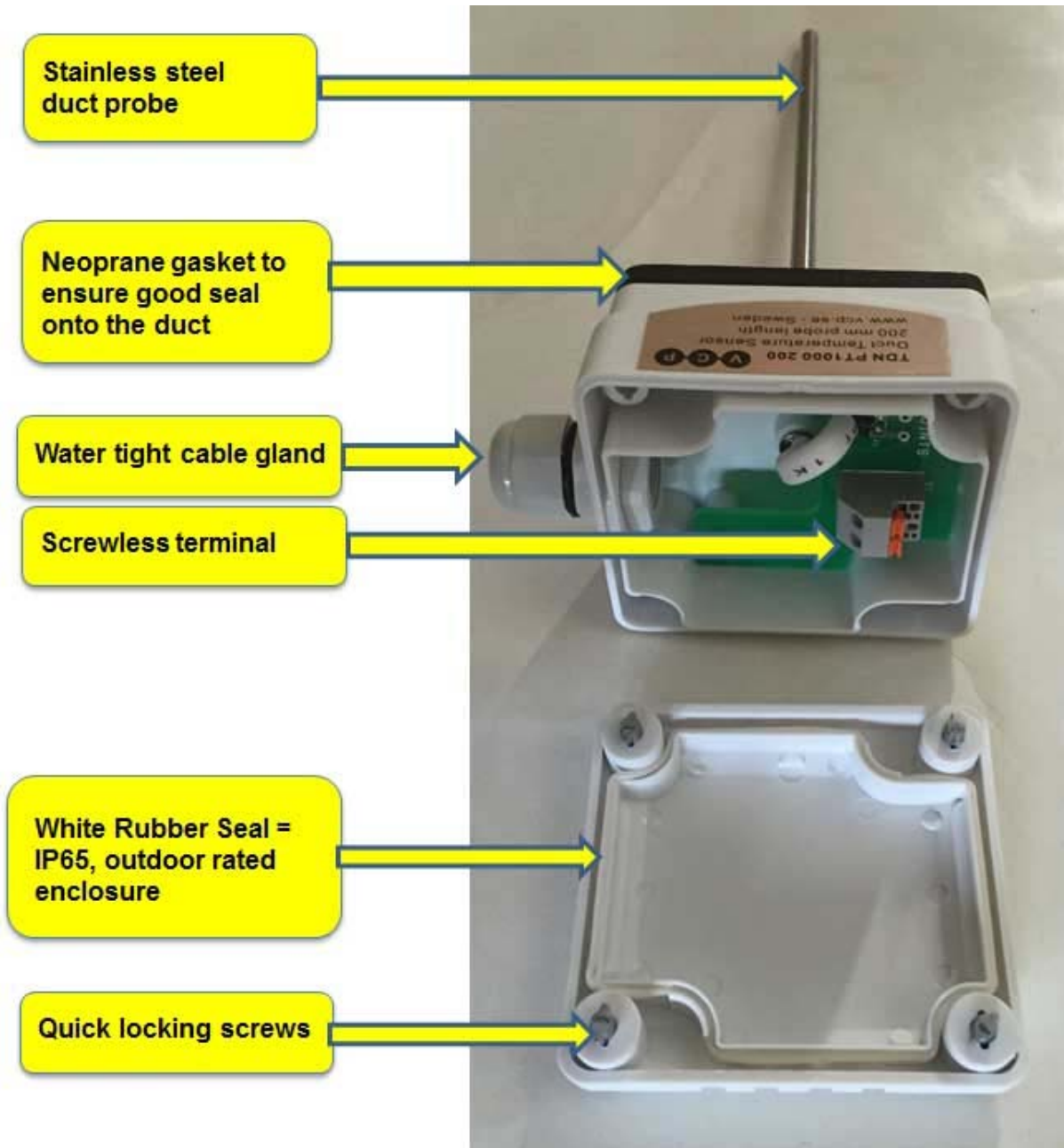
The sensing element is located in the end of the probe and wiring connection is inside the IP65 housing on a terminal block, the housing is supplied with a plastic cable entry gland.

As option duct mounting flange DMF can be ordered, duct mounting flange DMF used to adjust penetration depth of duct probe when needed.

## Ordering

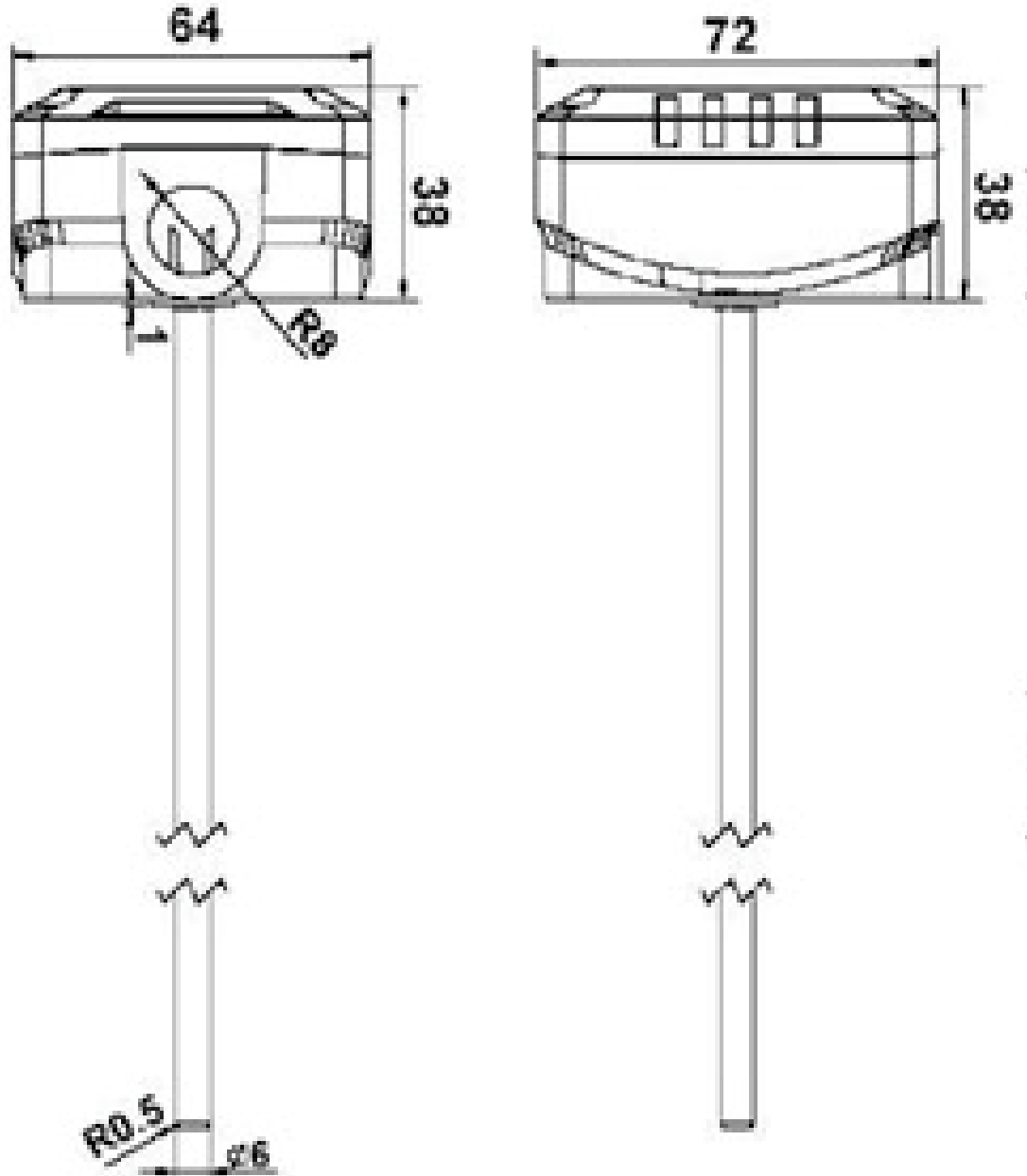
Type no.	Description
TDN PT1000 200	Duct Temperature Sensor PT1000, probe length 200 mm
TDN NTC 10K 200	Duct Temperature Sensor NTC 10K, probe length 200 mm
DMF	Duct Mounting Flange,

Illustration



We reserve the right to make changes in our products without any notice which may effect the accuracy of the information contained in this leaflet.

Dimensions



We reserve the right to make changes in our products without any notice which may effect the accuracy of the information contained in this leaflet.