

THR03 Indoor Temperature & Humidity Transmitter

Best Economy HVAC Indoor Air Quality Monitor



Real time monitoring
& Display

New
Economy
HVAC

Temp. 0 °C +50 °C MEMS	Humidity 0 %RH 100 %RH MEMS	Non-cond. Sensor Protected Nice Stability	LCD Local Display Monitor in Time
--------------------------------------	---	--	---

Introduction

EYC THR03, Indoor Temperature & Humidity Monitor.

MEMS sensor for monitoring, react quickly, nicer long-term stability of measuring , high C/P ratio.

THR03 is easy to install and featured with compact size and elegant outlook.

< Features >

- 【2-in-1】 Real-Time data of temperature & humidity
- 【Real-time data monitoring】 Quickly monitor and LCD display
- 【Nicer stability】 MEMS sensor
- 【Sensor protected】 Anti-condensation and nicer long-term stability
- 【Install quickly】 Compact size and elegant outlook and easy to install on the wall

Applications

- Public and interior place such as hospital, restaurant, department store, museum library and so on
- HVAC process / Air conditioning / Environmental air ventilation control / Green house / Data station / Storehouse and so on



Office



Restaurant



Library



Living Room



Parking Lot

Specification

Display

Display Type	LCD without backlight
Display Readout	Double-row (up : temperature ; down : humidity)
Resolution	3 digits and 1 decimal
Digit Height	17.91 mm

Input Sensor Type

Temperature	MEMS
Humidity	MEMS

Measuring Range

Temperature	0 ... 50 °C
Humidity	0 ... 100 %RH

Output

Signal Output	4 ... 20 mA
Signal Connection	2-wire

Warm-up Time

Temp. & Humidity	< 2 min. · stable time 20 mins.
------------------	---------------------------------

Response Time

Temp. & Humidity	$t_{63} (15 \dots 45^{\circ}\text{C} / 33 \dots 75 \% \text{RH}) \leq 10 \text{secs}$
------------------	---

Sampling Time

Temp. & Humidity	about 3 secs
------------------	--------------

Accuracy (at + 25°C ; V = 24VDC)

Temperature	$\pm 0.4^{\circ}\text{C}$
Humidity	$\pm 3 \% \text{RH} (\text{at } 20 \dots 80 \% \text{RH})$

Environmental

Media Measured	Ambient
Working Environment	0 ... 50 °C / 0 ... 95 %RH
Storage Environment	-20 ... + 60 °C

Electrical

Power Supply	DC : 15 ... 35V
Power Consumption	40 mA
Instant Switching Current(max.)	45 mA
Electric Connection	4P Connector

Installation

Installation	Indoor and Wall type
--------------	----------------------

Protection

Protection Rating	IP 20
Electric Protection	⊙ Polarity Protection ⊙ Over-Voltage ⊙ Short Circuit

Certification

CE	EN 61326-1:2013
	EN 55011:2009/A1:2010
	IEC 61000-4-2:2008
	IEC 61000-4-3:2006/A1:2007/A2:2010
	IEC 61000-4-8:2009

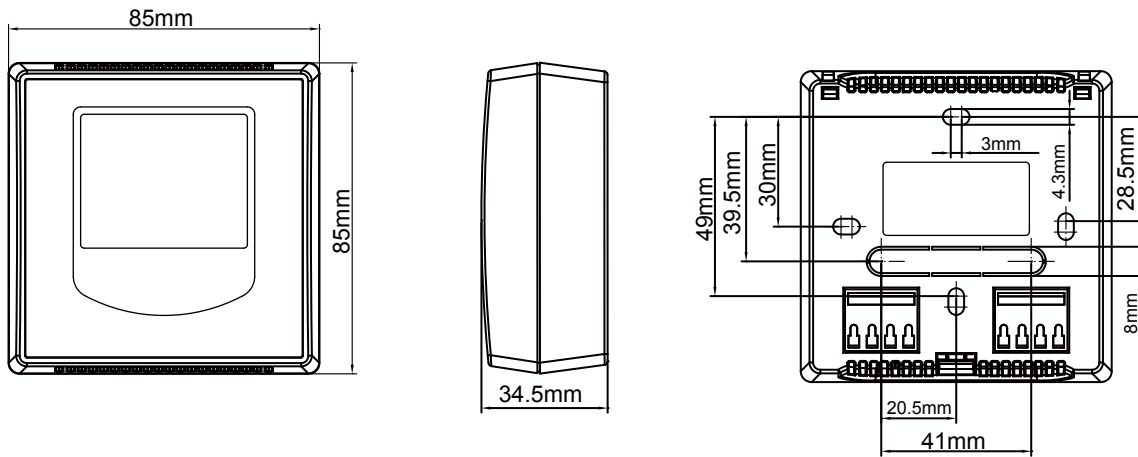
Material

Housing Material	PC fire-proof class (PC-110) (UL94V-2)
Weight	88g (With Display) 73g (Without Display)

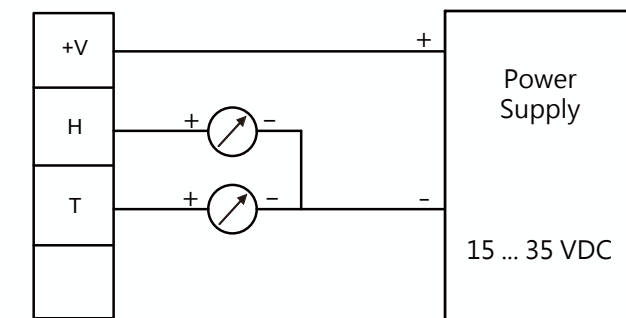
Ordering Guide

Item	THR03	–	D	1	1	–	30	–	N
Function	Temp. & Humidity		D						
Output	4 ... 20 mA			1					
Power Supply	15 ... 35 VDC				1				
Temperature Range	0 ... 50 °C					–	30		
Option	Without Display							–	N
	Display							–	D

Dimension



Diagram



4P terminal

2-wire, 4 ... 20mA